



FIRESTOP CENTRE

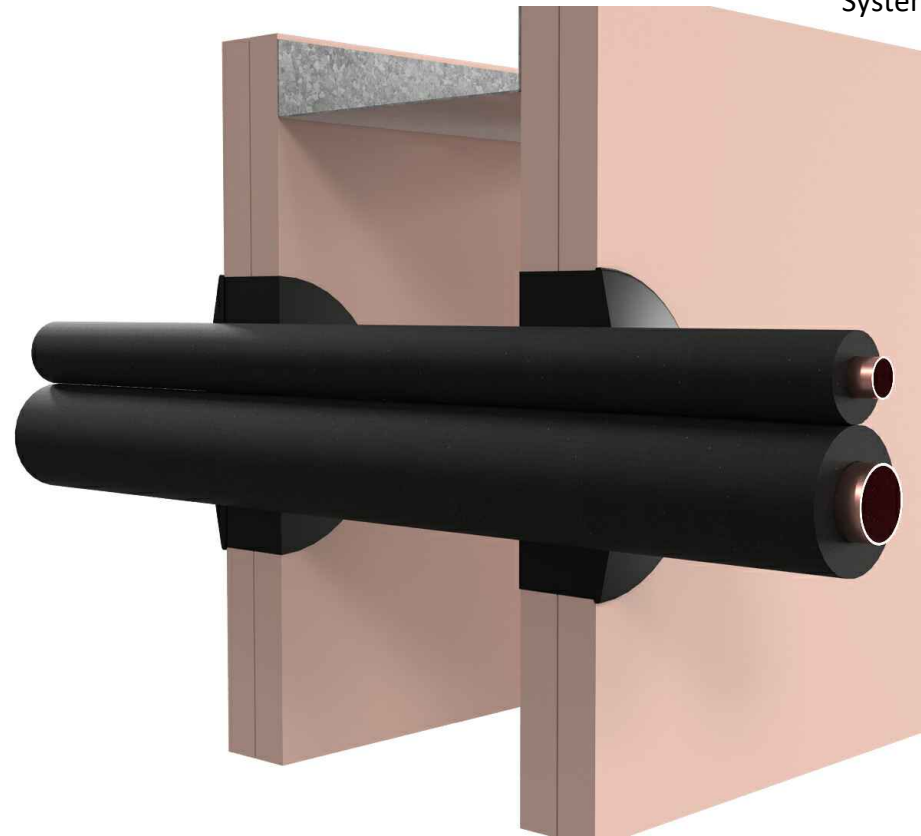
Authorised New Zealand Distributor
Ph (09) 483 4000 www.firestopcentre.co.nz

AGNI-Black in 2 x 13mm Plasterboard Wall or 116mm Concrete/Masonry/Block Wall PE Pair Coil Max FRR -/120/60

Step-by-step installation instructions:

1. Ensure the aperture is free from dust and debris.
2. Apply AGNI-Black in the annular gap between the wall and the pipe, 26mm (depth of lining) into the aperture.
3. Finish AGNI-Black flush with the wall.

System ID# FC886



Technical Information

Substrate	<ul style="list-style-type: none"> • Min. 64mm timber or steel stud wall with a minimum of two layers of 13mm (or greater) FR plasterboard on each side, with or without insulation. • Min. 116mm concrete wall
Service range	1 X PE pair coil
Annular gap	18 - 46.5mm
AGNI-Products	AGNI-Black
Protection installation	From both sides of the wall

Compliance Information

Standards	AS1530.4-2014, AS4072.1-2005
FRR/FRL	-/120/60
Reference	PF24144



Agnitek
FIRE RATED TECHNOLOGY

8 Clare St Bayswater
VIC 3153, AUSTRALIA
www.agnitek.com.au

Disclaimer

Agnitek reserves the right to modify product specifications without prior notice due to its ongoing research, development & certification programme. The information in this document is provided in good faith and is intended for guidance purposes only. Any accompanying drawings are solely for illustrative purposes. Since Agnitek cannot oversee installation methods or ensure site conditions, no warranties, expressed or implied, are intended regarding the products' actual performance. We do not accept liability for any loss, damage, or injury from using this information. Please take a look at the test reports displayed on a relevant AGNI-System webpage for all compliance specifics.

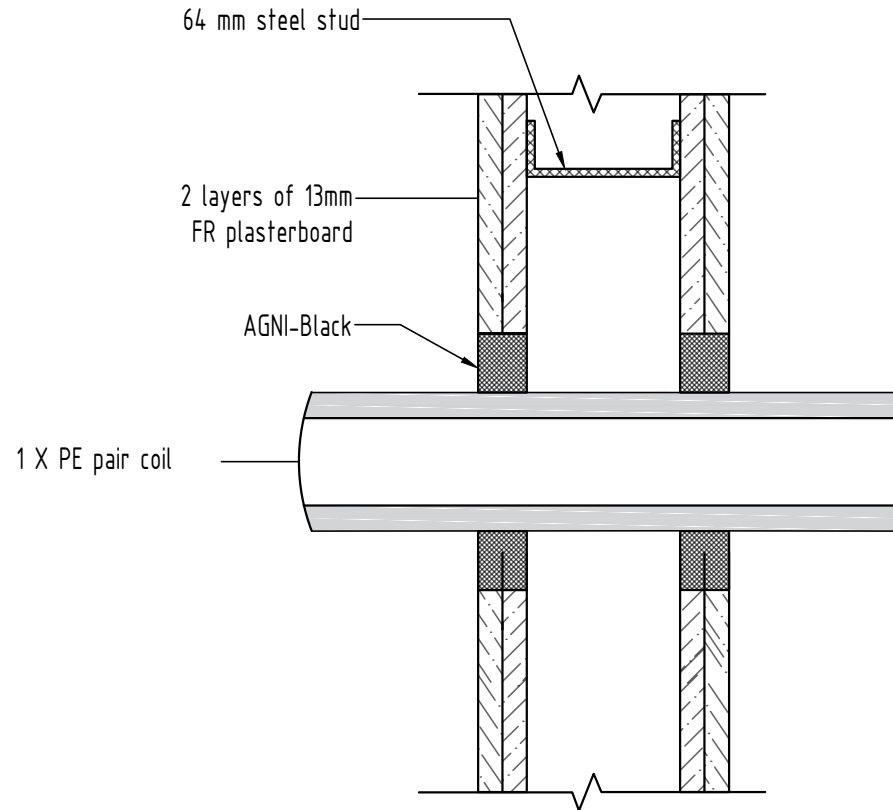
Date 11.12.2024



FIRESTOP CENTRE

Authorised New Zealand Distributor
Ph (09) 483 4000 www.firestopcentre.co.nz

AGNI-Black in 2 x 13mm Plasterboard Wall or 116mm Concrete/Masonry/Block Wall PE Pair Coil Max FRR -/120/60



System ID# FC886

Technical Information

Substrate	<ul style="list-style-type: none"> • Min. 64mm timber or steel stud wall with a minimum of two layers of 13mm (or greater) FR plasterboard on each side, with or without insulation. • Min. 116mm concrete wall
Service range	1 X PE pair coil
Annular gap	18 - 46.5mm
AGNI-Products	AGNI-Black
Protection installation	From both sides of the wall

Compliance Information

Standards	AS1530.4-2014, AS4072.1-2005
FRR/FRL	-/120/60
Reference	PF24144



Agnitek[®]
FIRE RATED TECHNOLOGY

8 Clare St Bayswater
VIC 3153, AUSTRALIA
www.agnitek.com.au

Disclaimer

Agnitek reserves the right to modify product specifications without prior notice due to its ongoing research, development & certification programme. The information in this document is provided in good faith and is intended for guidance purposes only. Any accompanying drawings are solely for illustrative purposes. Since Agnitek cannot oversee installation methods or ensure site conditions, no warranties, expressed or implied, are intended regarding the products' actual performance. We do not accept liability for any loss, damage, or injury from using this information. Please take a look at the test reports displayed on a relevant AGNI-System webpage for all compliance specifics.

Date 12.12.2024